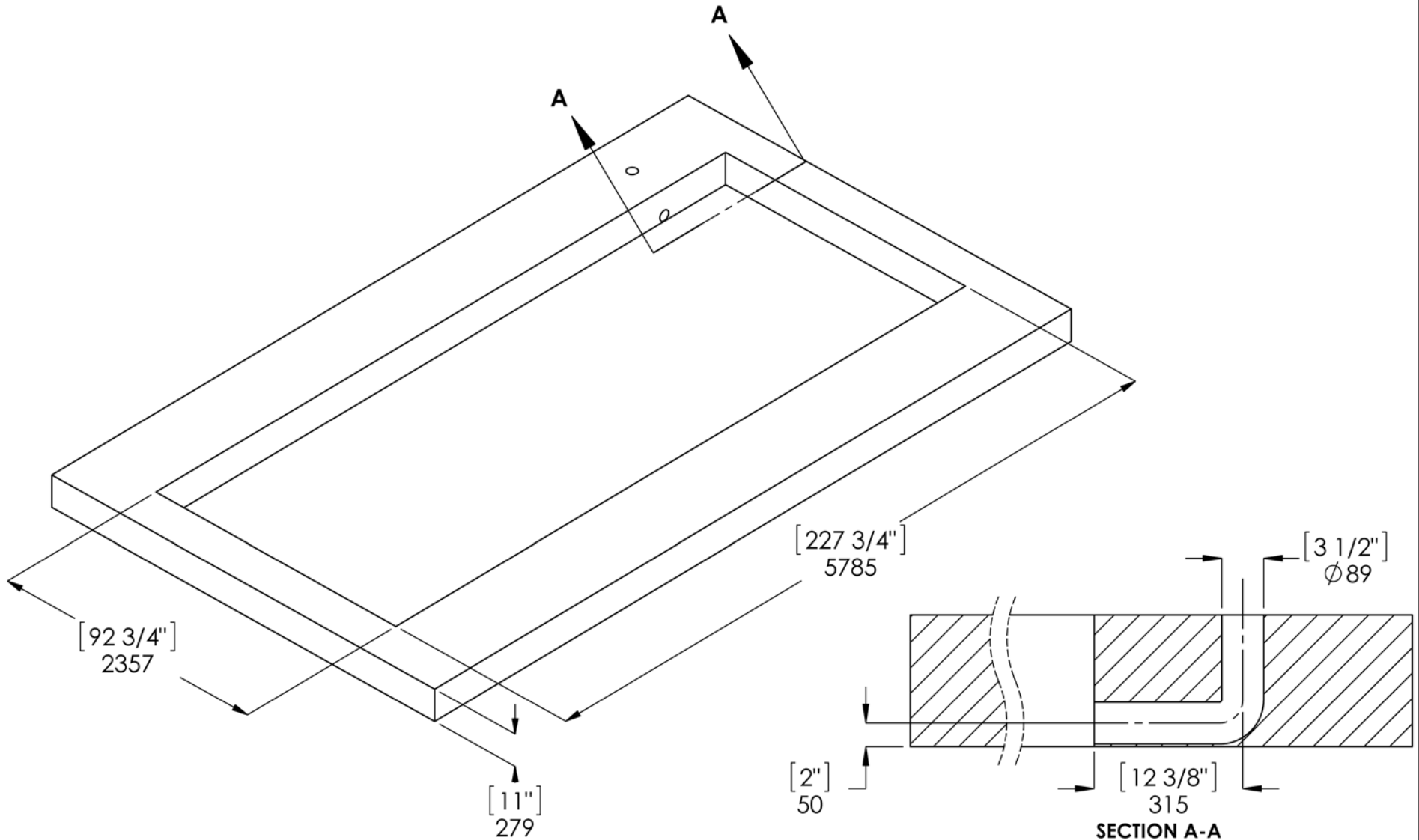


| REV. | DESCRIPTION | REVISION | DATE | EDITED BY | ECO # |
|------|-------------|----------|------|-----------|-------|
| | | | | | |



SECTION A-A
SCALE 1 : 12

| | | | |
|--|---|------------|---|
| DO NOT SCALE DRAWING | NAME | DATE | 1645 LEMONWOOD DR. SANTA PAULA, CA 93060 |
| DIMENSIONS ARE IN MM | DRAWN TM | 11/29/2010 | |
| | CHECKED -- | -- | TITLE: XR-12000A FLUSH MOUNT CONCRETE PRE-POUR LAYOUT |
| | THIRD ANGLE PROJECTION | | SIZE DWG. NO. REV |
| MATERIAL: --- | | | A CONCRETE |
| SIZE: --- | <small>PROPRIETARY AND CONFIDENTIAL THE INFORMATION CONTAINED IN THIS DRAWING IS THE SOLE PROPERTY OF BENDPAK INC. ANY REPRODUCTION IN PART OR AS A WHOLE WITHOUT THE WRITTEN PERMISSION OF BENDPAK INC. IS PROHIBITED.</small> | | SCALE: 1:40 |
| NOTE: UNLESS OTHERWISE SPECIFIED. | | | SHEET 1 OF 1 |