



**Open-Front Scissors Alignment Lift**  
**12,000-Pound Capacity**  
**Model: XR-12AE**

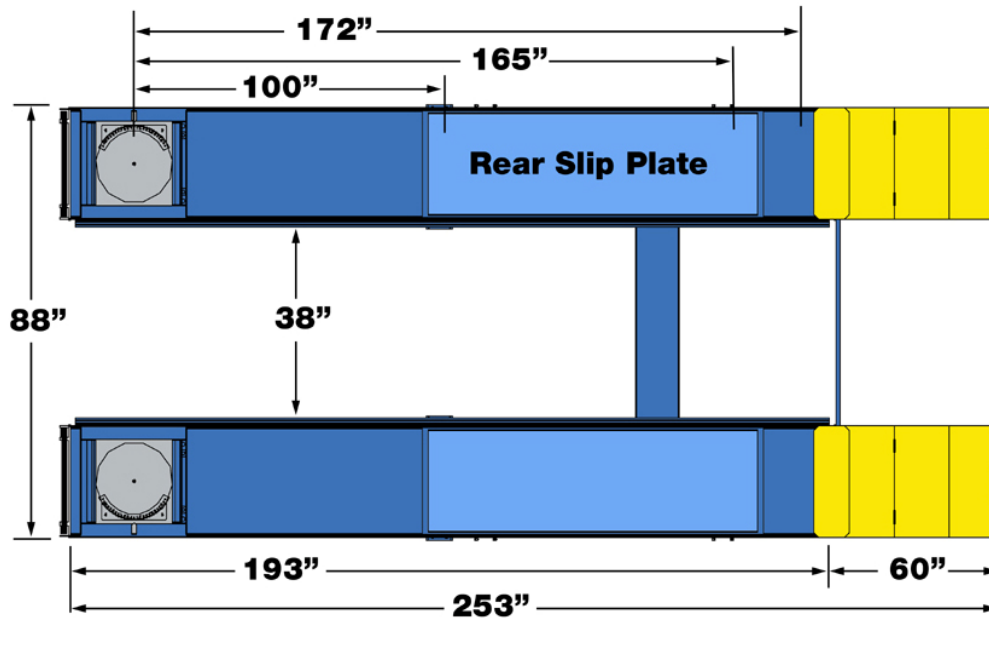


Add versatility and productivity to your alignment bay with this 12,000-pound capacity scissor alignment lift that takes up less space than conventional four-post styles and fits into narrower bays. The lift easily accommodates dual-wheeled and extended wheelbase trucks.

Two versions available, surface mount and flush mount. Flush mount installations provide zero drive-on approach, easy for the lowest profile vehicle.

This heavy-duty scissor alignment lift brings safety, durability and ruggedness to a whole new level.

- 12,000 lbs. lifting capacity.
- Equipped with two heavy-duty truck turn plates and full-floating rear slip plates.
- Turn plate pockets feature adjustable leveling bolts for infinite turn plate leveling.
- Front tire stops lower out of the way for front-end access.
- Convenient pull-out work stands located up front.
- Non-skid runway surface provides added traction.
- Dependable electric/hydraulic power system.
- Power console features simple operator controls.
- Approach ramps have built-in pull-out extensions providing added clearance for low ride height vehicles.
- Approach ramps incorporate hinges and can be folded up and stowed to minimize floor space.
- Four hydraulic cylinders provide extra power and precise leveling.
- Clear center and open front design.
- Multi-position automatic leveling system.
- Dual automatic safety locks with pneumatic push-button release.
- Heavy single-piece formed bottom frame.



**MODEL**

Style:  
Lifting Capacity:  
Lifting Height:  
Lowered Height:  
Lifting Time:  
Overall Length (Inc. Approach Ramps):  
Overall Width:  
Runway Width:  
Minimum 4-Wheel Alignment (\*):  
Maximum 4-Wheel Alignment (\*):  
Maximum 2- Wheel Alignment (\*):  
Maximum General Wheelbase (\*):  
Motor (\*\*)

**XR-12AE**

Scissors Alignment  
12,000 lbs. / 5443 Kg.  
70" / 1778 mm.  
12" / 305 mm.  
75 Seconds  
253" / 6426 mm.  
88" / 2235 mm.  
25" / 635 mm.  
100" / 2540 mm.  
165" / 4191 mm.  
172" / 4369 mm.  
178" / 4445 mm.  
220 VAC / 60 Hz. / 1 Ph.

\* May vary depending on wheel size.

\*\* Special Voltages Available Upon Request.

The design, material and specifications are subject to change without notice.